



PNEUMATIC MODULAR FRAME VDC Series

The VDC (Vertical Double Column) frame belongs to the family of PN-MF (Pneumatic Modular Frame) systems. The system is produced with aluminium draw pieces, measuring 100x100 or 100x200 mm and LiTeM brand anchoring systems.

When using the system, the VDC frame is combined with the K-PN pneumatic actuator and the RTC Real Time Controller. The structure is highly modular allowing a large number configurations suited to running a wide range of tests.

Applications

Modular systems, by their very nature, can be fitted together and are, therefore, highly flexible. Consequently, they can be used in many different sectors, from Research and Development to Control and Quality in production companies and even in the biomedical world. They are also particularly suitable for tests on assembled components, which often have non-standard forms and dimensions.

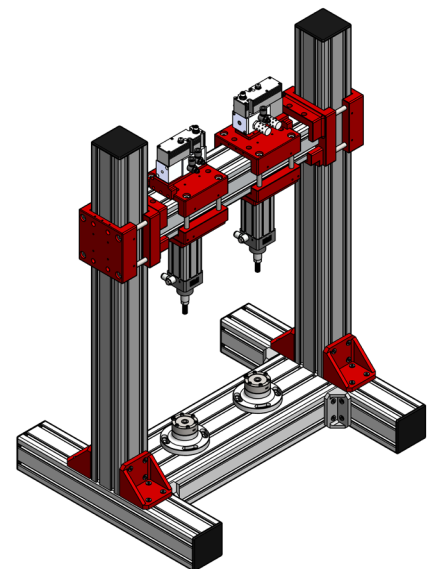
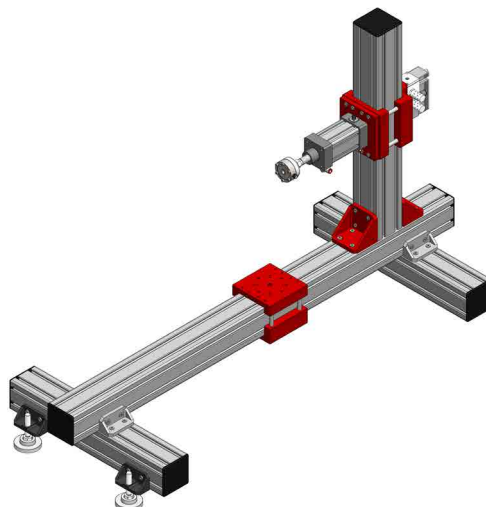
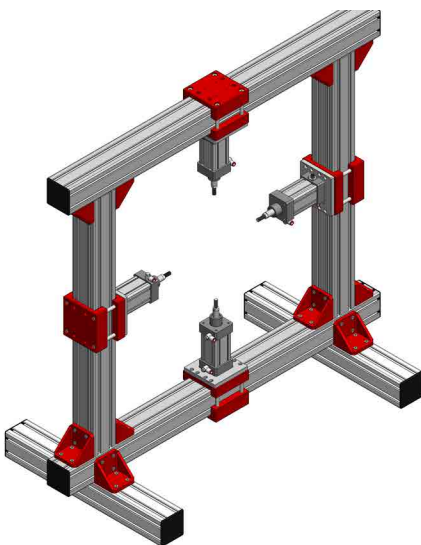
Characteristics



MAXIMUM FLEXIBILITY
AND CONFIGURABILITY



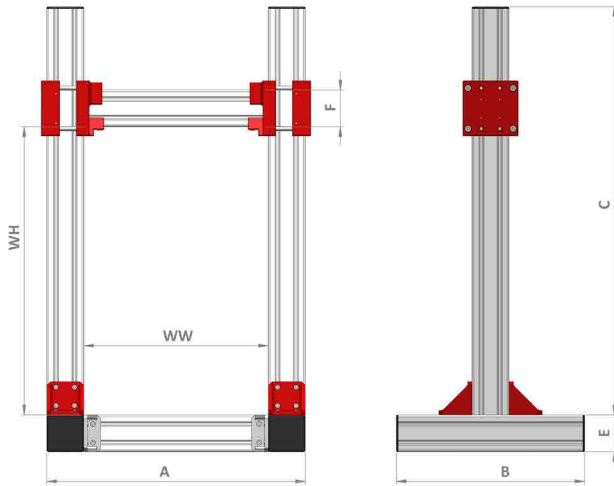
SIMPLE TO USE



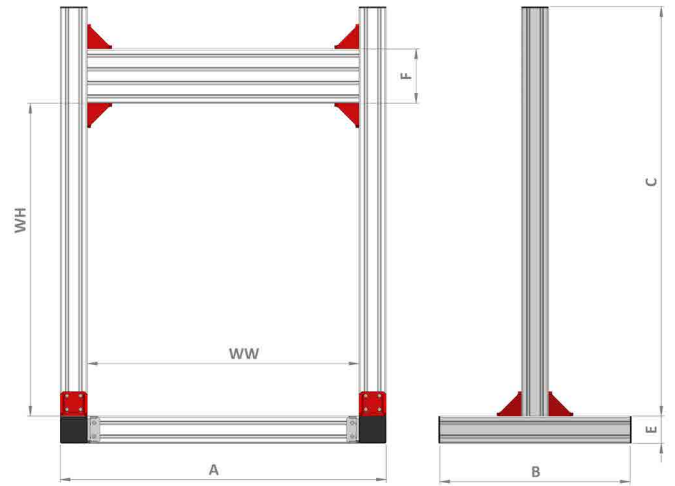
Al fine di migliorare le prestazioni tecniche del prodotto, la società si riserva di apportare variazioni senza preavviso.
In order to improve the technical performances of the product, the company reserves the right to make any change without notice.

Technical specifications PN-MF/ VDC Standard

The PN-MF modular frames, in the VDC series, are available according to standard dimensions, as shown in the table below



Frame VDC - 3 series



Frame VDC - 6 series

ORDER CODES		Technical specifications of PN-MF modular frame - VDC Standard							
Code	Description	F Max*	A	B	C	E	F	WW	WH
VDC-3-001	Modular frame VDC-3	3kN	700	600	1200	100	100	500	1050 - (L+actuator stroke)
VDC-3-002	Modular frame VDC-3	3kN	800	600	1200	100	100	600	1150 - (L+actuator stroke)
VDC-3-003	Modular frame VDC-3	2.5 kN	900	600	1500	100	100	700	1350 - (L+actuator stroke)
VDC-6-001	Modular frame VDC-6	6kN	700	600	1200	100	200	500	1050 - (L+actuator stroke)
VDC-6-002	Modular frame VDC-6	6kN	900	700	1200	100	200	700	1150 - (L+actuator stroke)
VDC-6-003	Modular frame VDC-6	5kN	1000	700	1500	100	200	800	1350 - (L+actuator stroke)

Technical specification PN-MF/ VDC Custom

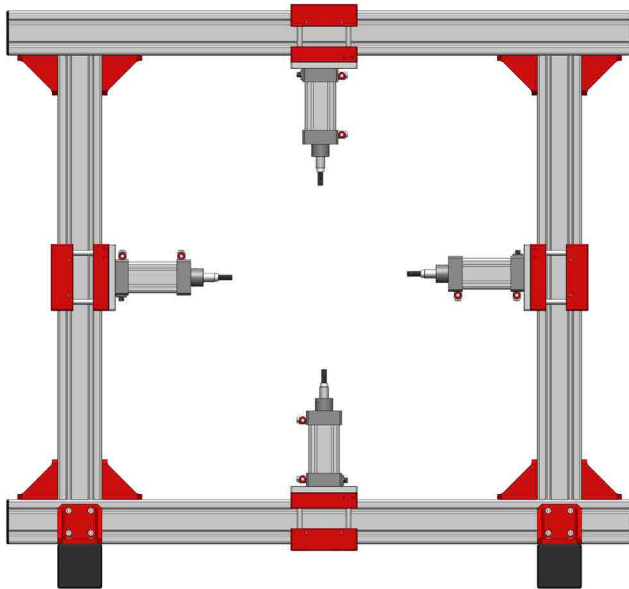
VDC / F A B C

Forza	A	B	C
3kN	600	600	1100
6kN	700	700	1200
[kN]	800	800	1300
	1000	1000	1400
	1200	[mm]	1500
	1500		1700
	[mm]		[mm]

The PN-MF modular frames, in the VDC series, can also be made in the "customisable" version, following the specific requirements of the customer. The customer can use the measurements shown in the table or select others and communicate them when sending the order.

Custom Frame

In order to run particular tests where standard solutions do not meet the customer's requirements, LiTeM can provide Custom style frames, whose structure and dimensions comply with the instructions provided. Here are a few solutions prepared in line with customer specifications.



Portal

Frame with portal for multi-axial applications.

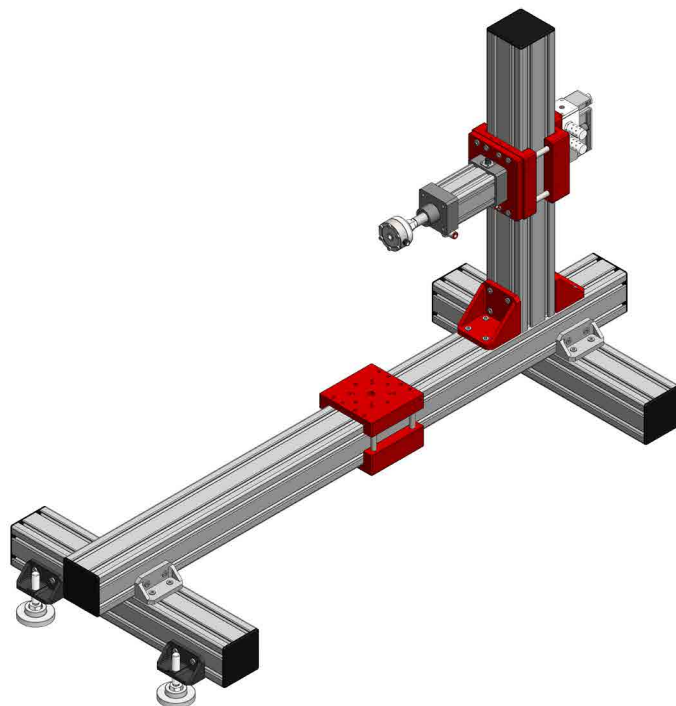
The actuators are arranged on each side of the portal, with the possibility of moving in a longitudinal direction along the profile to which they are connected.

This solution was used to run tests on a rubber component.

Horizontal Frame

Frame constructed horizontally. The actuator works by applying force with a horizontal orientation.

This solution was used to run tests on components in the footwear sector.



*Specificare la corsa dell'attuatore nel codice della macchina

NOTA: Le prestazioni della macchina indicate in tabella possono dipendere dalle specifiche di prova e dalle caratteristiche del campione di prova.

Related systems

The entire series of PN-MF modular frames is compatible with all the pneumatic actuator kits and other accessories - K-PN product category [see www.litem.info/kitpneumatici] and with the SC-Pn01 protection systems [see www.litem.info/accessori/protezioni].

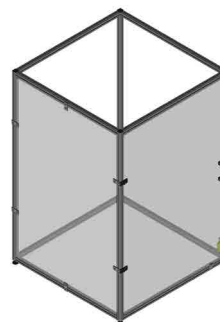
A complete pneumatic, modular test system which includes the frame and the items listed below.

Real Time Controller RTC



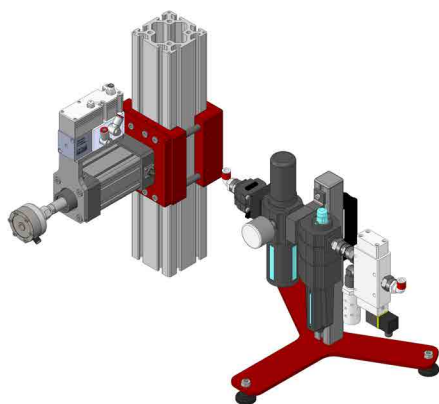
Real Time Controller RTC 9001 with single axis or RTC 9000/A with multi-axis (up to 4 independent and simultaneous axes) complete with PC, monitor 27", mouse and keyboard.

Protection frame



Protection structure according to regulations, made with aluminium and polycarbonate panels. Includes an E-Stop emergency switch and door opening with connection cable.

Pneumatic Actuator Kit



Pneumatic actuator Kit complete with contactless displacement sensor, load cell, proportional servo-valve and air handling unit.

Al fine di migliorare le prestazioni tecniche del prodotto, la società si riserva di apportare variazioni senza preavviso.
In order to improve the technical performances of the product, the company reserves the right to make any change without notice.



TUTORIAL
VIDEO

DRC Srl
PRODUCTION and SALES

Via Montesicuro, 58/B - 60131 Ancona (Italy)
Tel (+39) 071 80 36 077

GENERAL INFORMATION
info@litem.info

www.litem.info